

# KNEE OPERATED HAND BASIN

6.20

HAND BASINS

#HBKO / KNEE OPERATED HAND BASIN



Scan QR code  
to view online



Image shows Knee Operated Hand Basin with Low Level Spout

## features and benefits

- Hands-free activation
- Prevents cross-contamination
- Complies with food prep. standards
- 11 litre bowl capacity
- Heavy duty operating valve
- No electrical connections
- Chamfered corners for added safety
- Supplied pre-plumbed ready to install
- Includes pressure limiting valve
- Grade 304 stainless steel
- 40mm waste outlet supplied
- Concealed wall brackets
- 50mm blade upstand to rear
- Choice of low level or goose neck spout

## about

The *BRITEX Stainless Steel Knee Operated Hand Basin* is primarily used in commercial food handling areas and incorporates a generous 11 litre bowl. The tap is activated by leaning against the front push panel, eliminating the need for electronic / mains powered tapware in areas where avoiding cross-contamination is paramount. Supplied pre-plumbed and easy to install, the Knee Operated Basin is extremely heavy duty and comes complete with pressure limiting valve, 40mm waste outlet and choice of low-level or goose neck type spout.

## sample spec. text

*BRITEX S.S. Knee Operated Hand Basin - 500L x 425W x 283H O/A. 11 litre bowl capacity. Supplied pre-plumbed with **goose neck/low-level** type spout, front push panel, pressure limiting valve, mounting bracket, 40mm waste outlet **and tempering valve** - Product Code HBKO*

\*RED TEXT may denote a **variable** where one option only is to be selected, a **nominal dimension** that needs to be specified, or an **optional feature** that can be removed if not required. Please refer to the back of this page for additional specification details and options.

VISIT [BRITEX.COM.AU](http://BRITEX.COM.AU) TO DOWNLOAD BIM FILES, CAD DRAWINGS AND THE MOST CURRENT PRODUCT LITERATURE.



**MELBOURNE**  
Britex Place, Mirra Crt  
Bundoora VIC 3083  
t (03) 9466 9000  
f (03) 9466 9044

**SYDNEY**  
16 Northumberland Drv  
Taren Point NSW 2229  
t (02) 9531 2100  
f (02) 9531 2800

**PERTH**  
Unit 1/8 Principal Link  
Malaga WA 6090  
t (08) 9249 5464  
f (08) 9248 6893

**BRISBANE**  
19 Manilla St  
East Brisbane QLD 4169  
t (07) 3363 2400  
f (07) 3363 2444

**ADELAIDE**  
The Britex Group  
SA State Office  
t 1300 764 744  
f 1300 784 306

[britex.com.au](http://britex.com.au) | [info@britex.com.au](mailto:info@britex.com.au) | A.B.N 83 004 309 737

# KNEE OPERATED HAND BASIN

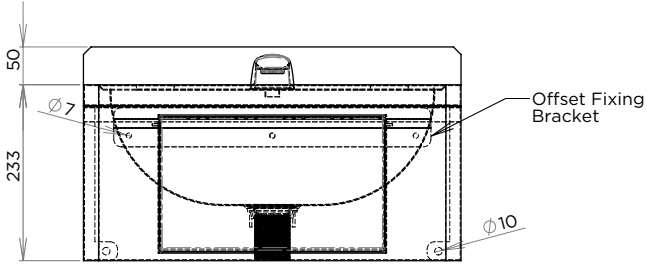
PRODUCT CODE

## HBKO

6.20

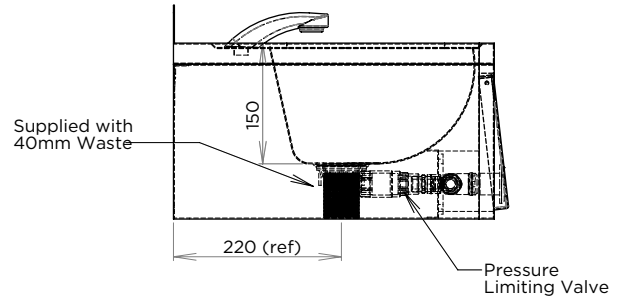
HAND BASINS

#HBKO / KNEE OPERATED HAND BASIN

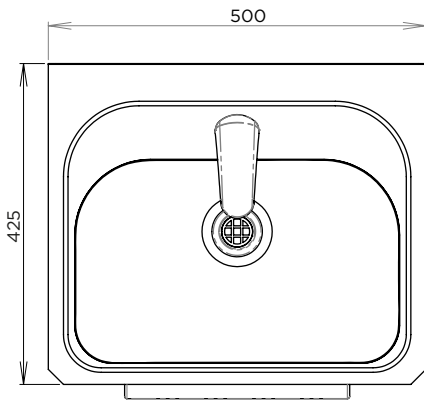


Suggested mounting height: 850-900mm AFL

MODEL HBKO Front Elevation



MODEL HBKO Section



MODEL HBKO Plan

specifying  
guide

*When specifying this product please include:*

- Product **Name** and **Code**
- Product **Dimensions**
- **Spout** Type

options

- Splashback Panel - Up to 500mm High
- Low level or goose neck spout
- Tempering valve

VISIT [BRITEX.COM.AU](http://BRITEX.COM.AU) TO DOWNLOAD BIM FILES, CAD DRAWINGS AND THE MOST CURRENT PRODUCT LITERATURE.

Last Revised 2020